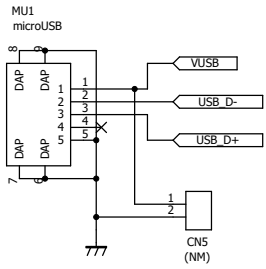
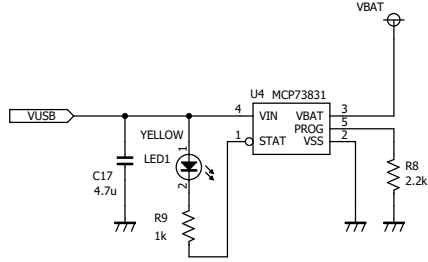


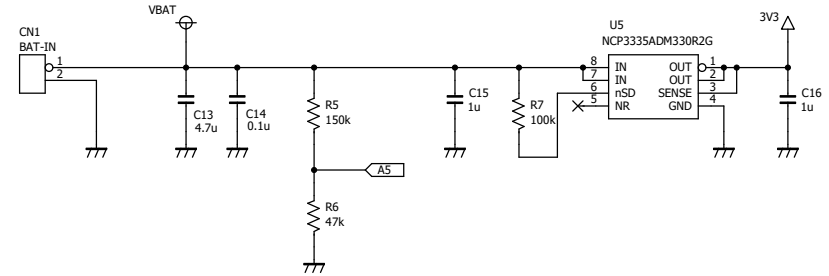
Micro USB Connector



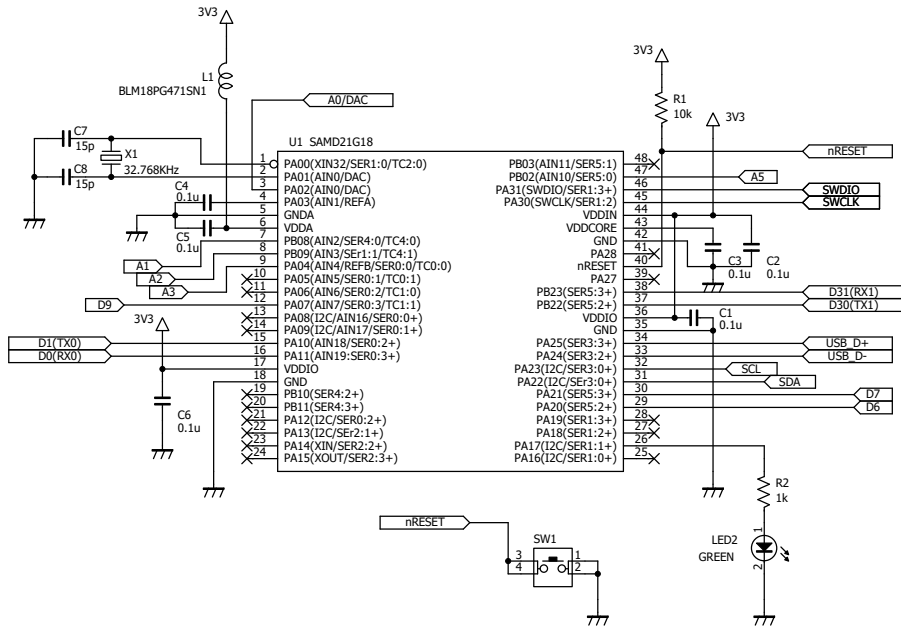
LiPo Charger



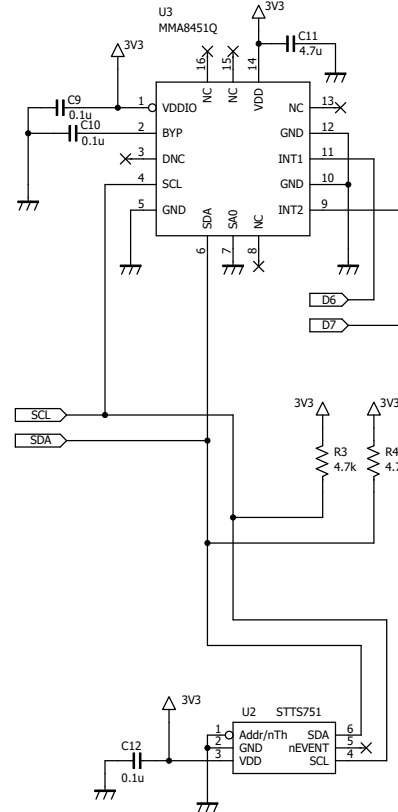
Voltage Regulator



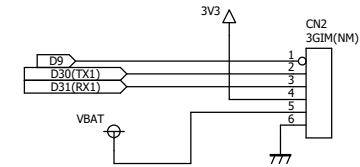
ATSAMD21G18



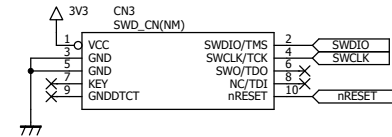
I2C Sensors



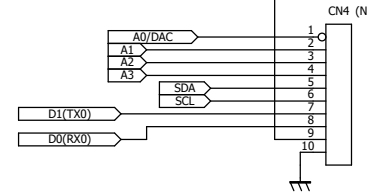
3GIM Header



Cortex-Debug Header



External Header



Title: IoTAB Board

Design by TABrain Inc.

Date: 2017/12/26 (V1)