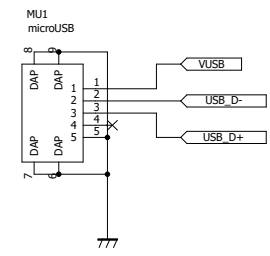
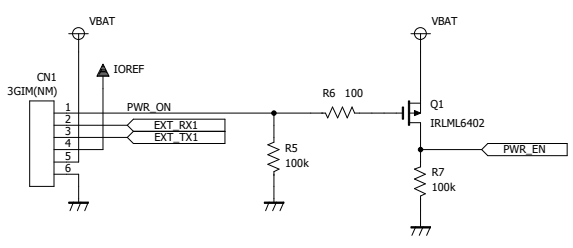


Micro USB Connector

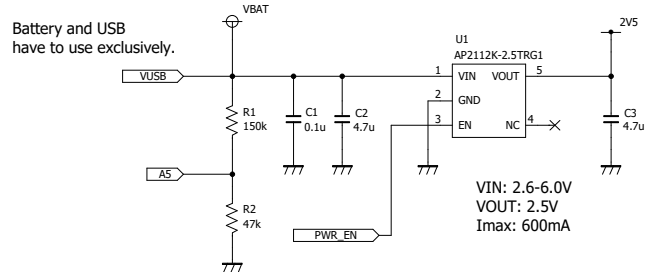


3GIM Header

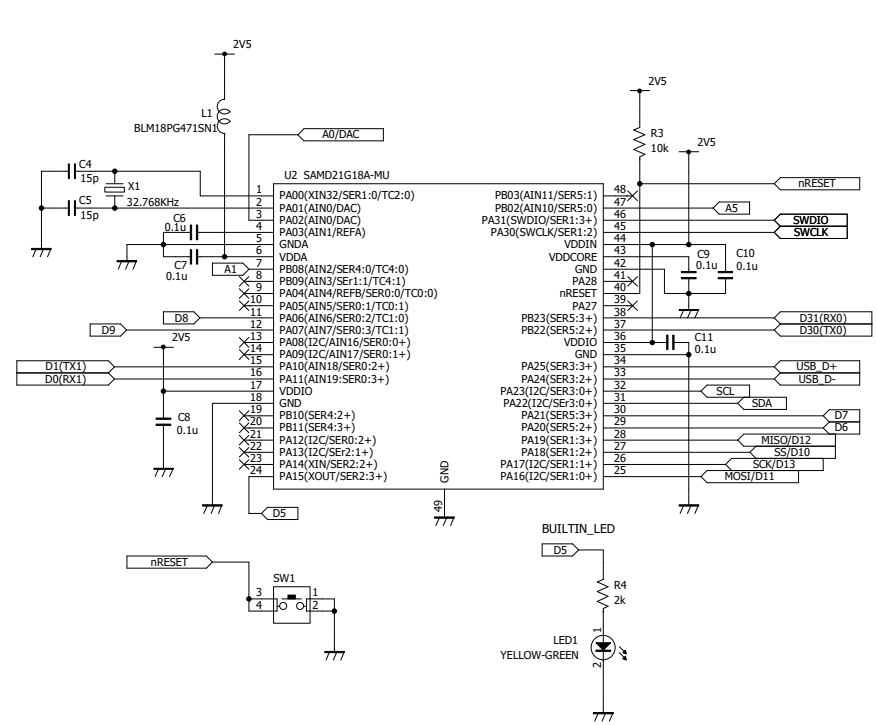


(* V1_R8->R9: Swap EXT_TX1 and EXT_RX1)

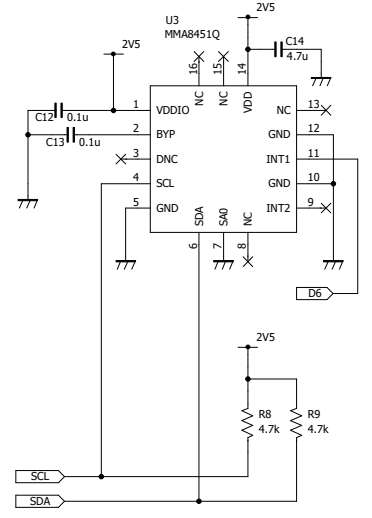
Voltage Regulator



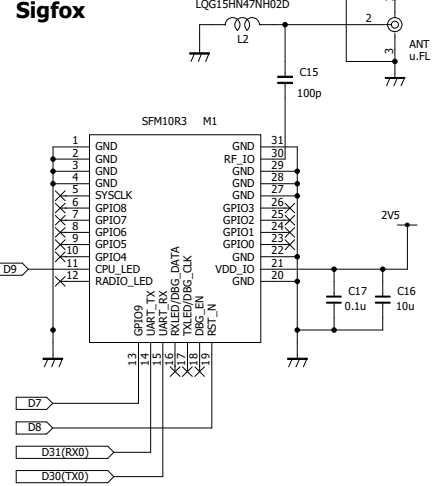
ATSAMD21G18A



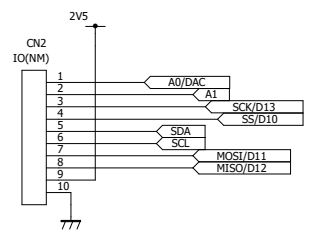
Accelerometer



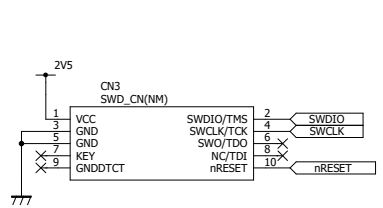
Sigfox



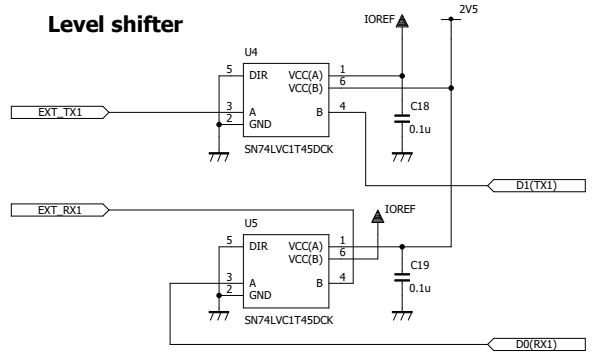
External Header



Cortex-Debug Header



Level shifter



Title: SGIM(V1)

Design by TABrain Inc.

Date: 2018/05/28 (V1_R8)
2018/10/31 (V1_R9)